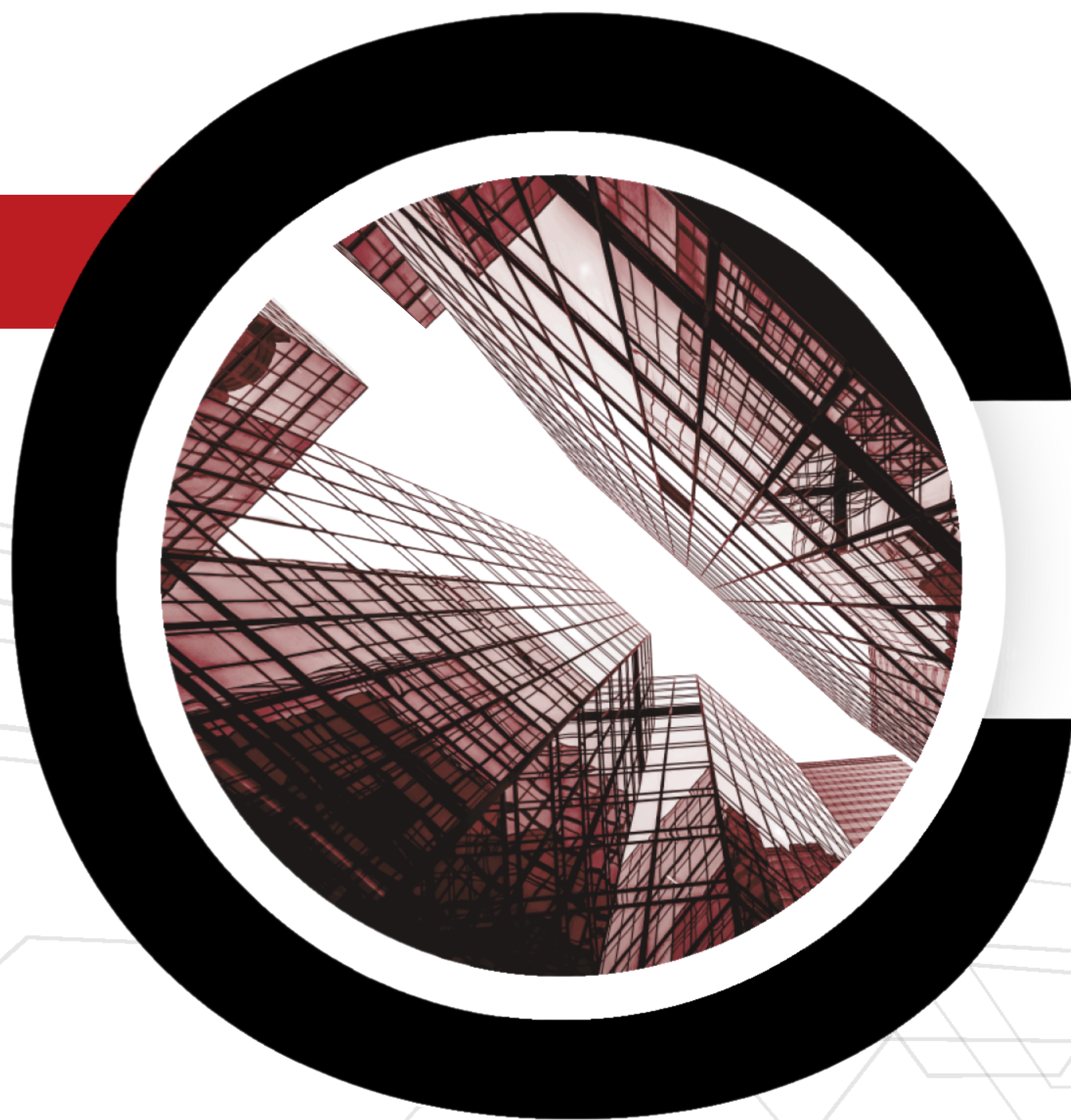


FIBERCORE
CONNECTING CORE TO THE WORLD



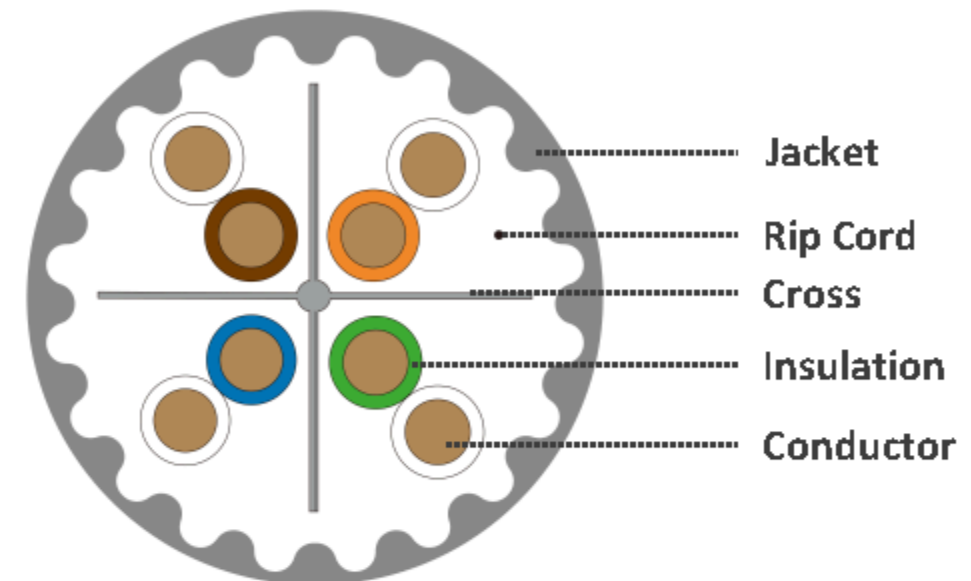
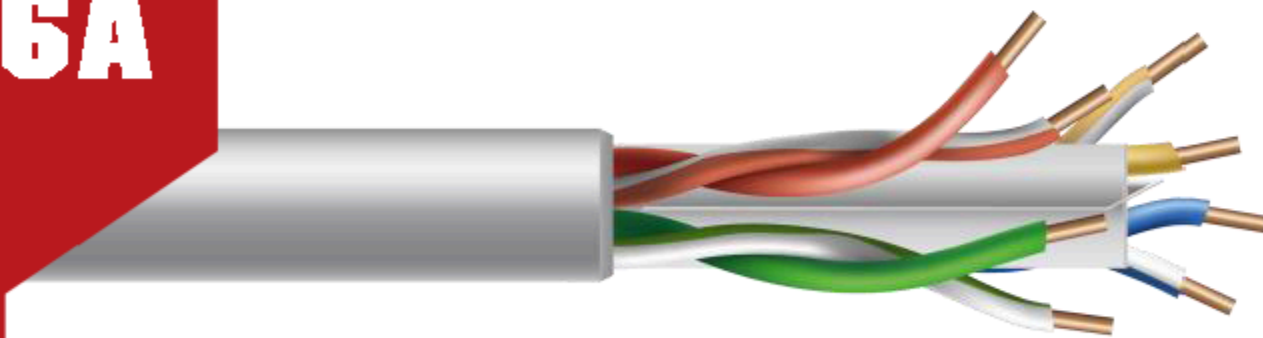
PRODUCT
CATALOGUE
CAT6A Solutions

CAT.6A 23AWG UTP Indoor Cable

Solid PVC Cable

FC-09-00048-UT-GRY

TIA/EIA 568.2-D • EN50173 • ISO/IEC 11801



Application

- Structure cabling for horizontal and building backbone cable
- Transmission of digital and analogue for data, video and audio applications
- Suitable for harsh environmental conditions and applications

Features

- Structure cabling for horizontal special-purpose constructions
- Meets TIA/EIA 568.2-D and RoHS compliant to ensure great quality
- Compatible for 1 GB Ethernet needs, and reaches the high bandwidth up to 500MHz

Cable Material & Structure

Conductor	23AWG Solid Bare Copper, 0.57±0.008mm
Insulation	HDPE, OD 1.03±0.1mm, Min Thickness 0.23mm(REF)
Filler	Rip Cord 3*250D
Central Element	5.3mm (REF) + CROSS
Jacket	LSZH, OD 7.0±0.35mm, Average Thickness 0.5±0.05mm, Grey

Want to know more about FiberCore?

For more information visit www.fibercore-plus.com or contact sales@fibercore-plus.com

V5.2 - 01202026



CAT.6A 23AWG UTP Indoor Cable

Electrical Characters

Sheath Normal Temp Tensile Strength	≥10
Sheath Normal Temp Elongation	≥125
Insulation Normal Temp Tensile Strength	≥16
Insulation Normal Temp Elongation	≥300
Aging Condition	100°C±2°C , 24h , 7d
Sheath After Aging Tensile Strength	≥8.0
Sheath After Aging Elongation	≥100
Temperature Rating	-20°C to +75°C
Cold Bend(20±2°C×4hr)	8×Cable O.D. No visible cracks

Transmission Performance

MHz	RL ≥dB	ATT ≥dB	NEXT ≥dB	ACRF ≥dB	PS-NEXT dB	PS ACRF dB
1	19.1	3.0	65.0	64.2	62.0	61.2
4	21.0	3.5	64.1	52.1	61.8	49.1
8	21.0	5.0	59.4	46.1	57.0	43.1
10	21.0	5.5	57.8	44.2	55.5	41.2
16	20.0	7.0	54.6	40.1	52.2	37.1
20	19.5	7.8	53.1	38.2	50.7	35.2
25	19.0	8.8	51.5	36.2	49.1	33.2
31.25	18.5	9.8	50.0	34.3	47.5	31.3
62.5	16.0	14.0	45.1	28.3	42.7	25.3
100	14.0	18.0	41.8	24.2	39.3	21.2
200	11.0	26.1	36.9	18.2	34.3	15.2
250	10.0	29.5	35.3	16.2	32.7	13.2
300	8.6	35.6	31.8	13.3	29.1	10.3
400	8.0	41.1	28.2	11.1	25.3	8.1
500	8.0	43.8	26.7	10.2	23.8	7.2

Want to know more about FiberCore?

For more information visit www.fibercore-plus.com or contact sales@fibercore-plus.com

V5.2 - 01202026



CAT.6A 23AWG F/UTP Indoor Cable

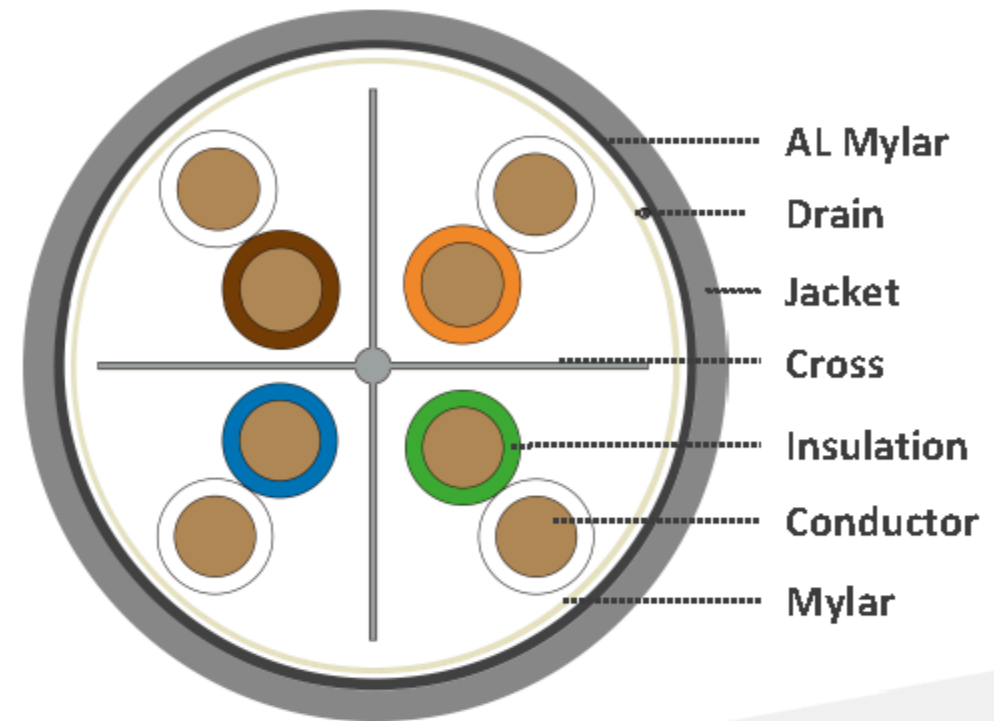
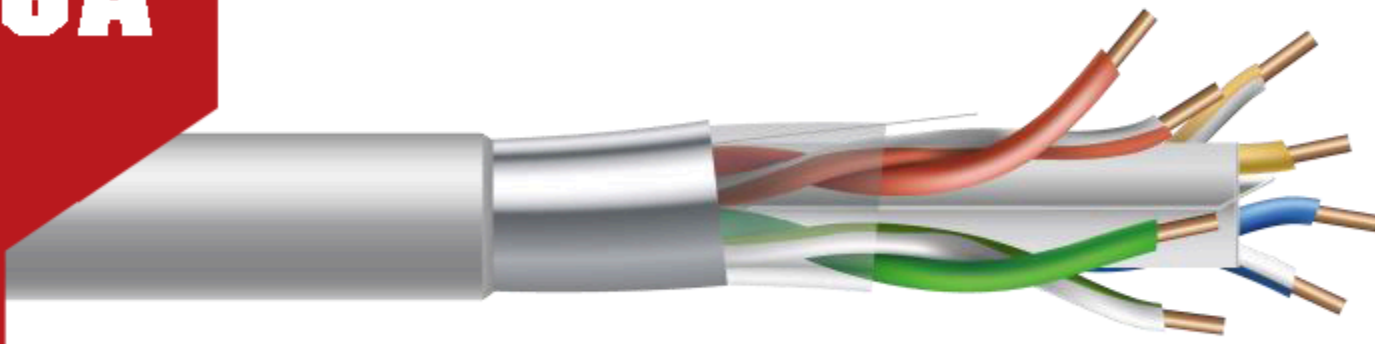


Solid PVC Cable

FC-09-00048-FT-GRY

TIA/EIA 568.2-D • EN50173 • ISO/IEC 11801

COPPER CABLE
6A



Application

- Data centers and LANs in commercial buildings
- Structure cabling for horizontal and building backbone cable
- Transmission of digital and analogue for data, video and audio applications

Features

- Structure cabling for horizontal special-purpose constructions
- Meets TIA/EIA 568.2-D and RoHS compliant to ensure great quality
- Screened construction specified to 500Mhz

Cable Material & Structure

Conductor	23AWG Solid Bare Copper, 0.57±0.010mm
Insulation	HDPE, OD 1.05±0.05mm, Min Thickness 0.26mm
Central Element	OD 6.0mm (REF) + CROSS
Drain Wire	1/0.400±0.008, Tinned Solid Copper Conductor
Jacket	PVC, OD 7.3±0.40mm, Average Thickness 0.55±0.10mm, Grey

Want to know more about FiberCore?

For more information visit www.fibercore-plus.com or contact sales@fibercore-plus.com

V5.2 - 01202026



CAT.6A 23AWG F/UTP Indoor Cable

Electrical Characters

Sheath Normal Temp Tensile Strength	≥13.5
Sheath Normal Temp Elongation	≥150
Insulation Normal Temp Tensile Strength	≥16
Insulation Normal Temp Elongation	≥300
Aging Condition	100°C±2°C , 24h , 7d
Sheath After Aging Tensile Strength	≥12.5
Sheath After Aging Elongation	≥125
Temperature Rating	-20°C to +75°C
Cold Bend(20±2°C×4hr)	8xCable O.D. No visible cracks

Transmission Performance

MHz	RL ≥dB	ATT ≥dB	NEXT ≥dB	ACRF ≥dB	PS-NEXT dB	PS ACRF dB
1	19	3	65	63.3	62	60.3
4	19	4.2	63	51.2	60.5	48.2
8	19	5.8	58.2	45.2	55.6	42.2
10	19	6.5	56.6	43.3	54	40.3
16	18	8.2	53.2	39.2	50.6	36.2
20	17.5	9.2	51.6	37.2	49	34.2
25	17	10.2	50	35.3	47.3	32.3
31.25	16.5	11.5	48.4	33.4	45.7	30.4
62.5	14	16.4	43.4	27.3	40.6	24.3
100	12	20.9	39.9	23.3	37.1	20.3
200	9	30.1	34.8	17.2	31.9	14.2
250	8	33.9	33.1	15.3	30.2	12.3
300	6.6	40.6	30.3	12.4	27.3	9.4
450	6	46.5	27.3	10.2	24.4	7.2
500	6	49.3	26.1	9.3	23.2	6.3

Want to know more about FiberCore?

For more information visit www.fibercore-plus.com or contact sales@fibercore-plus.com

V5.2 - 01202026



CAT.6A 23AWG S/FTP Indoor Cable

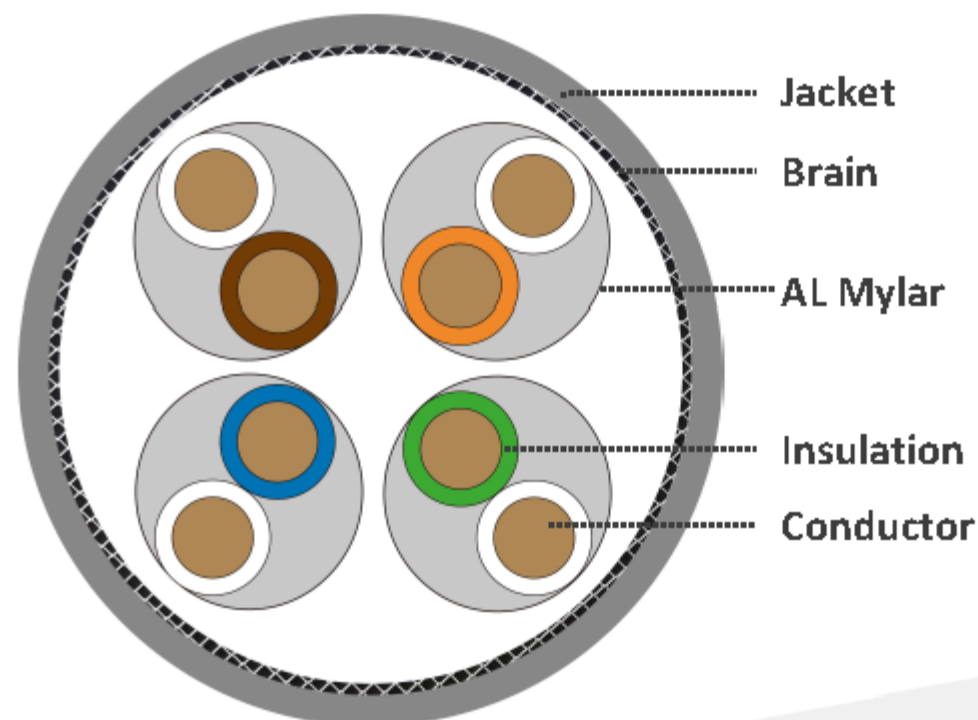
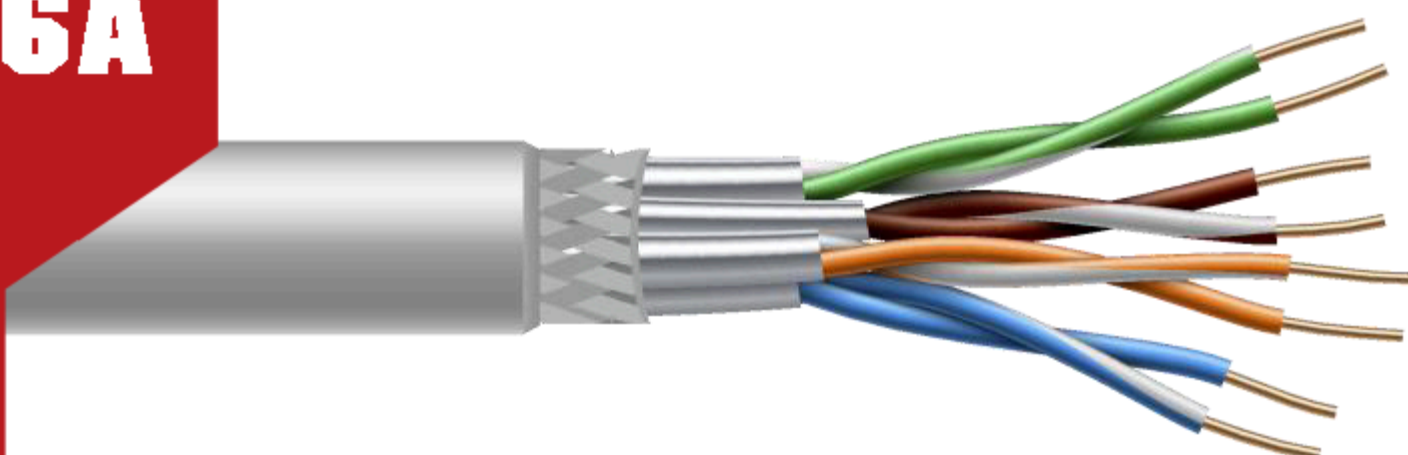
Solid PVC Cable

FC-09-00048-ST-GRY

TIA/EIA 568.2-D • EN50173 • ISO/IEC 11801



COPPER CABLE
6A



Application

- Data centers and LANs in commercial buildings
- Structure cabling for horizontal and building backbone cable
- Transmission of digital and analogue for data, video and audio applications

Features

- Structure cabling for horizontal special-purpose constructions
- Meets TIA/EIA 568.2-D and RoHS compliant to ensure great quality
- Screened construction specified to 500Mhz

Cable Material & Structure

Conductor	23AWG Solid Bare Copper, 0.57 ± 0.02 mm
Insulation	FDPE, OD 1.36 ± 0.1 mm, Min Thickness 0.40mm (REF)
Braid Material	Aluminum Magnesium Alloy Wire, OD 16/6/ 0.12 ± 0.007
Jacket	PVC, OD 7.60 ± 0.35 mm, Average Thickness 0.55 ± 0.10 mm, Grey

Want to know more about FiberCore?

For more information visit www.fibercore-plus.com or contact sales@fibercore-plus.com

V5.2 - 01202026



CAT.6A 23AWG S/FTP Indoor Cable

Electrical Characters

Sheath Normal Temp Tensile Strength	≥13.5
Sheath Normal Temp Elongation	≥150
Insulation Normal Temp Tensile Strength	≥10
Insulation Normal Temp Elongation	≥200
Aging Condition	100°C±2°C , 24h , 7d
Sheath After Aging Tensile Strength	≥12.5
Sheath After Aging Elongation	≥125
Temperature Rating	-20°C to +75°C
Cold Bend(20±2°C×4hr)	8×Cable O.D. No visible cracks

Transmission Performance

MHz	RL ≥dB	ATT ≥dB	NEXT ≥dB	ACRF ≥dB	PS-NEXT dB	PS ACRF dB	Delay (ns)
4	23.0	3.8	66.3	56.0	63.3	53.0	552.0
8	24.5	5.3	61.8	49.9	58.8	46.9	547.0
10	25.0	5.9	60.3	48.0	57.3	45.0	545.0
16	25.0	7.5	57.2	43.9	54.2	40.9	543.0
20	25.0	8.4	55.8	42.0	52.8	39.0	542.0
25	24.3	9.4	54.3	40.0	51.3	37.0	541.0
31.25	23.6	10.5	52.9	38.1	49.9	35.1	540.0
62.5	21.5	15.0	48.4	32.1	45.4	29.1	539.0
100	20.1	19.1	45.3	28.0	42.3	25.0	538.0
200	18.0	27.6	40.8	22.0	37.8	19.0	537.0
250	17.3	31.1	39.3	20.0	36.3	17.0	536.0
300	17.3	34.3	38.1	18.5	35.1	15.5	536.0
400	17.3	40.1	36.3	16.0	33.3	13.0	536.0
500	17.3	45.3	34.8	14.0	31.8	11.0	536.0

Want to know more about FiberCore?

For more information visit www.fibercore-plus.com or contact sales@fibercore-plus.com

V5.2 - 01202026



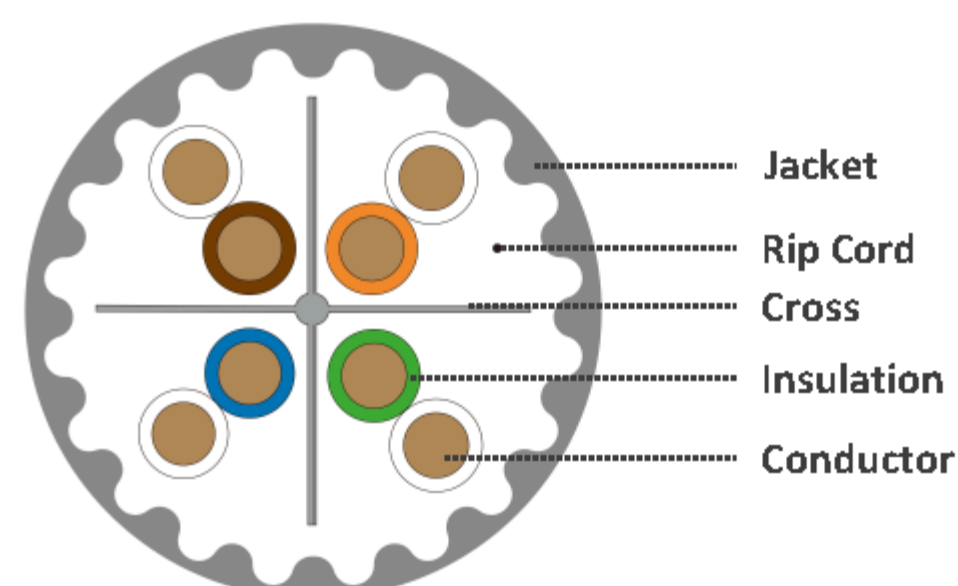
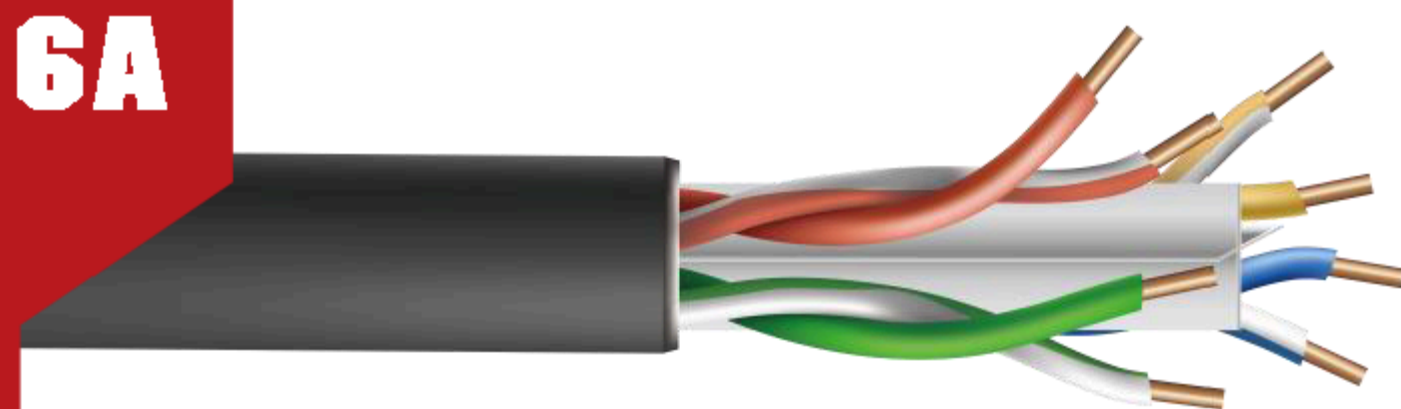
CAT.6A 23AWG UTP Outdoor Cable

Solid PE Cable

FC-09-00049-UT-BK



TIA/EIA 568.2-D • EN50173 • ISO/IEC 11801



Application

- Structure cabling for horizontal and building backbone cable
- Transmission of digital and analogue for data, video and audio applications
- Suitable for harsh environmental conditions and applications

Features

- Structure cabling for horizontal special-purpose constructions
- Meets TIA/EIA 568.2-D and RoHS compliant to ensure great quality
- Compatible for 1 GB Ethernet needs, and reaches the high bandwidth up to 500MHz

Cable Material & Structure

Conductor	23AWG Solid Bare Copper, 0.57±0.010mm
Insulation	HDPE, OD 1.05±0.1mm, Min Thickness 0.24mm
Filler	Rip Cord 3*250D
Central Element	5.3mm (REF) + CROSS
Jacket	PE, OD 7.0±0.35mm, Average Thickness 0.5±0.05mm, Black

Want to know more about FiberCore?

For more information visit www.fibercore-plus.com or contact sales@fibercore-plus.com

V5.2 - 01202026



CAT.6A 23AWG UTP Outdoor Cable

Electrical Characters

Sheath Normal Temp Tensile Strength	≥14
Sheath Normal Temp Elongation	≥600
Insulation Normal Temp Tensile Strength	≥16
Insulation Normal Temp Elongation	≥300
Aging Condition	100°C±2°C , 24h , 7d
Sheath After Aging Tensile Strength	≥10.0
Sheath After Aging Elongation	≥400
Temperature Rating	-20°C to +75°C
Cold Bend(20±2°C×4hr)	8×Cable O.D. No visible cracks

Transmission Performance

MHz	RL ≥dB	ATT ≥dB	NEXT ≥dB	ACRF ≥dB	PS-NEXT dB	PS ACRF dB
1	19.1	3.3	65	64.2	62	61.2
4	21	3.5	64.1	52.1	61.8	49.1
8	21	5	59.4	46.1	57	43.1
10	21	5.5	57.8	44.2	55.5	41.2
16	20	7	54.6	40.1	52.2	37.1
20	19.5	7.8	53.1	38.2	50.7	35.2
25	19	8.8	51.5	36.2	49.1	33.2
31.25	18.5	9.8	50	34.3	47.5	31.3
62.5	16	14	45.1	28.3	42.7	25.3
100	14	18	41.8	24.2	39.3	21.2
200	11	26.1	36.9	18.2	34.3	15.2
250	10	29.5	35.3	16.2	32.7	13.2
350	8.6	35.6	31.8	13.3	29.1	10.3
400	8.0	41.1	28.2	11.1	25.3	8.1
500	8.0	43.8	26.7	10.2	23.8	7.2

Want to know more about FiberCore?

For more information visit www.fibercore-plus.com or contact sales@fibercore-plus.com

V5.2 - 01202026



CAT.6A 23AWG F/UTP Outdoor Cable

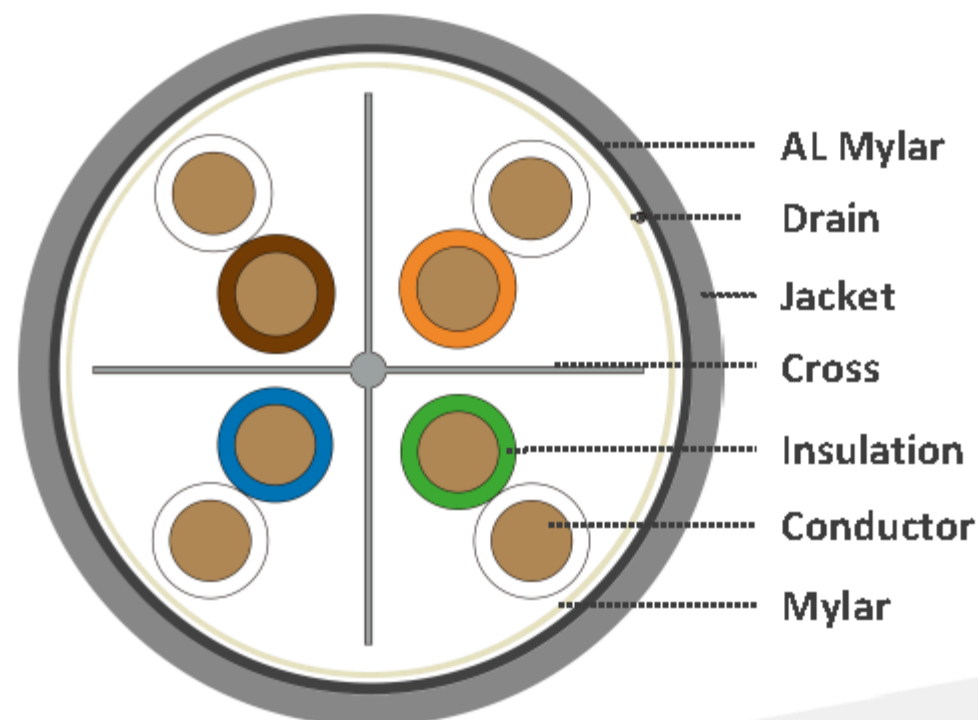
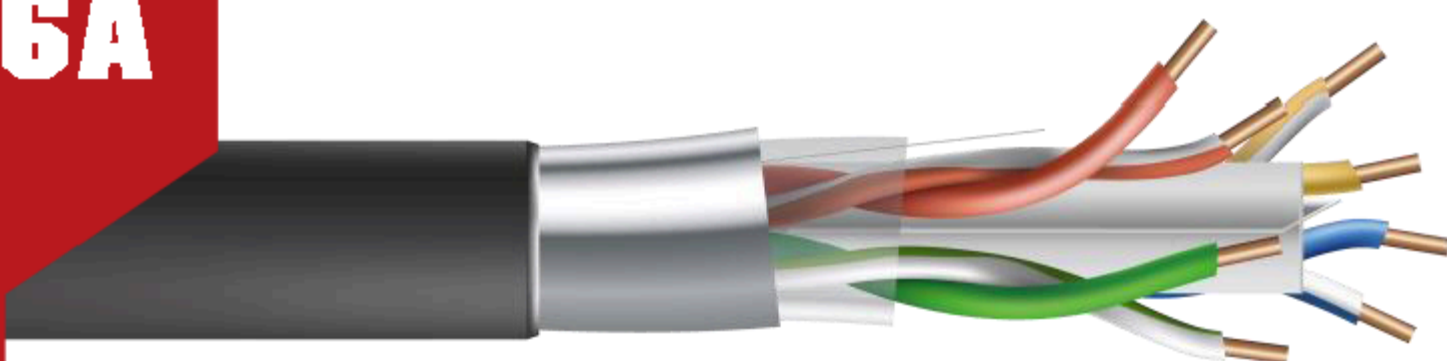


Solid PE Cable

FC-09-00049-FT-BK

TIA/EIA 568.2-D • EN50173 • ISO/IEC 11801

COPPER CABLE
6A



Application

- Structure cabling for horizontal and building backbone cable
- Transmission of digital and analogue for data, video and audio applications
- Suitable for harsh environmental conditions and applications

Features

- Structure cabling for horizontal special-purpose constructions
- Meets TIA/EIA 568.2-D and RoHS compliant to ensure great quality
- Screened construction specified to 500Mhz

Cable Material & Structure

Conductor	23AWG Solid Bare Copper, 0.57±0.010mm
Insulation	HDPE, OD 1.05±0.05mm, Min Thickness 0.26mm
Central Element	OD 6.0mm (REF) + CROSS
Drain Wire	1/0.400±0.008, Tinned Solid Copper Conductor
Jacket	PE, OD 7.30±0.40mm, Average Thickness 0.55±0.10mm, Black

Want to know more about FiberCore?

For more information visit www.fibercore-plus.com or contact sales@fibercore-plus.com

V5.2 - 01202026



CAT.6A 23AWG F/UTP Outdoor Cable

Electrical Characters

Sheath Normal Temp Tensile Strength	≥14
Sheath Normal Temp Elongation	≥600
Insulation Normal Temp Tensile Strength	≥16
Insulation Normal Temp Elongation	≥300
Aging Condition	100°C±2°C , 24h , 7d
Sheath After Aging Tensile Strength	≥10.0
Sheath After Aging Elongation	≥400
Temperature Rating	-20°C to +75°C
Cold Bend(20±2°C×4hr)	8×Cable O.D. No visible cracks

Transmission Performance

MHz	RL ≥dB	ATT ≥dB	NEXT ≥dB	ACRF ≥dB	PS-NEXT dB	PS ACRF dB
1	19	3	65	63.3	62	60.3
4	19	4.2	63	51.2	60.5	48.2
8	19	5.8	58.2	45.2	55.6	42.2
10	19	6.5	56.6	43.3	54	40.3
16	18	8.2	53.2	39.2	50.6	36.2
20	17.5	9.2	51.6	37.2	49	34.2
25	17	10.2	50	35.3	47.3	32.3
31.25	16.5	11.5	48.4	33.4	45.7	30.4
62.5	14	16.4	43.4	27.3	40.6	24.3
100	12	20.9	39.9	23.3	37.1	20.3
200	9	30.1	34.8	17.2	31.9	14.2
250	8	33.9	33.1	15.3	30.2	12.3
300	6.6	40.6	30.3	12.4	27.3	9.4
450	6	46.5	27.3	10.2	24.4	7.2
500	6	49.3	26.1	9.3	23.2	6.3

Want to know more about FiberCore?

For more information visit www.fibercore-plus.com or contact sales@fibercore-plus.com

V5.2 - 01202026



CAT.6A 23AWG S/FTP Outdoor Cable

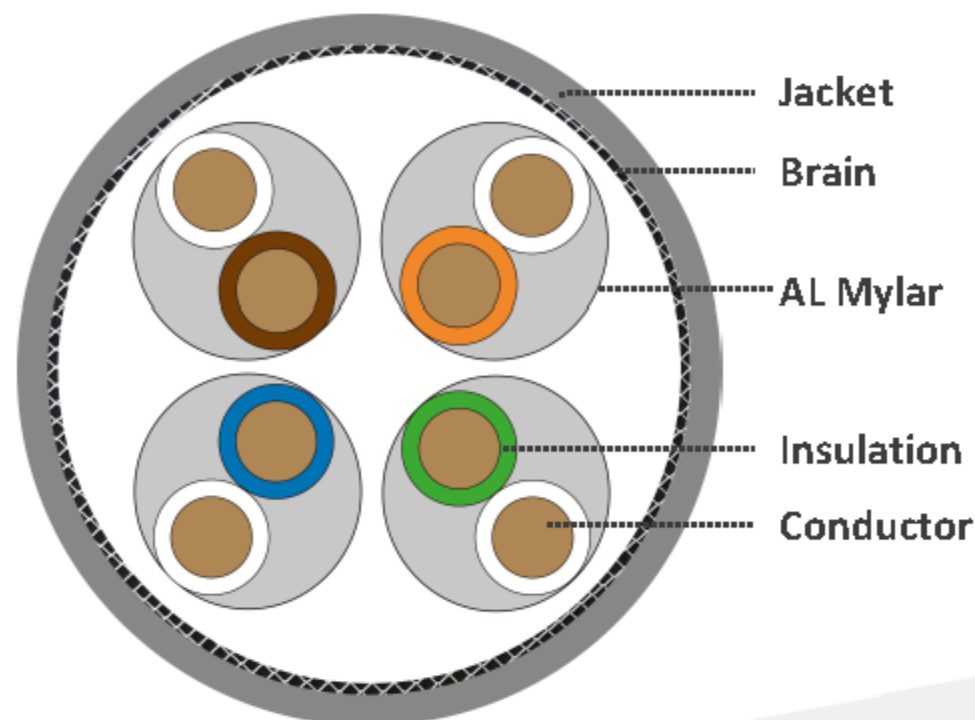
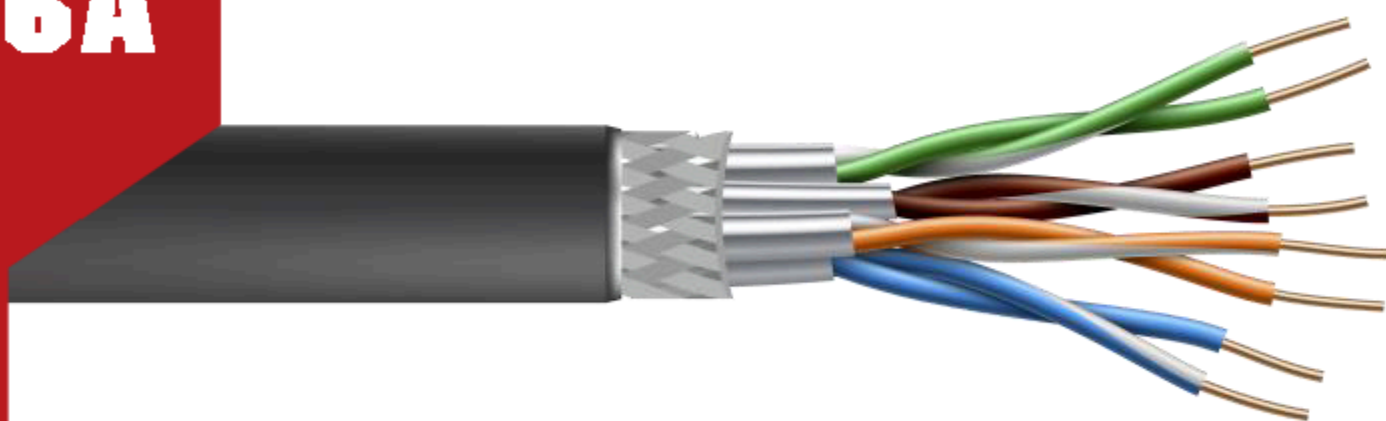


Solid PE Cable

FC-09-00049-ST-BK

TIA/EIA 568.2-D • EN50173 • ISO/IEC 11801

COPPER CABLE
6A



Application

- Structure cabling for horizontal and building backbone cable
- Transmission of digital and analogue for data, video and audio applications
- Suitable for harsh environmental conditions and applications

Features

- Structure cabling for horizontal special-purpose constructions
- Meets TIA/EIA 568.2-D and RoHS compliant to ensure great quality
- Screened construction specified to 500Mhz

Cable Material & Structure

Conductor	23AWG Solid Bare Copper, 0.57±0.02mm
Insulation	FDPE, OD 1.36±0.1mm, Min Thickness 0.40mm (REF)
Braid Material	Aluminum Magnesium Alloy Wire, OD 16/6/0.12±0.007
Jacket	PE, OD 7.60±0.35mm, Average Thickness 0.55±0.10mm, Black

Want to know more about FiberCore?

For more information visit www.fibercore-plus.com or contact sales@fibercore-plus.com

V5.2 - 01202026



CAT.6A 23AWG S/FTP Outdoor Cable

Electrical Characters

Sheath Normal Temp Tensile Strength	≥14
Sheath Normal Temp Elongation	≥600
Insulation Normal Temp Tensile Strength	≥10
Insulation Normal Temp Elongation	≥200
Aging Condition	100°C±2°C , 24h , 7d
Sheath After Aging Tensile Strength	≥10.0
Sheath After Aging Elongation	≥400
Temperature Rating	-20°C to +75°C
Cold Bend(20±2°C×4hr)	8xCable O.D. No visible cracks

Transmission Performance

MHz	RL ≥dB	ATT ≥dB	NEXT ≥dB	ACRF ≥dB	PS-NEXT dB	PS ACRF dB	Delay (ns)
4	23.0	3.8	66.3	56.0	63.3	53.0	552.0
8	24.5	5.3	61.8	49.9	58.8	46.9	547.0
10	25.0	5.9	60.3	48.0	57.3	45.0	545.0
16	25.0	7.5	57.2	43.9	54.2	40.9	543.0
20	25.0	8.4	55.8	42.0	52.8	39.0	542.0
25	24.3	9.4	54.3	40.0	51.3	37.0	541.0
31.25	23.6	10.5	52.9	38.1	49.9	35.1	540.0
62.5	21.5	15.0	48.4	32.1	45.4	29.1	539.0
100	20.1	19.1	45.3	28.0	42.3	25.0	538.0
200	18.0	27.6	40.8	22.0	37.8	19.0	537.0
250	17.3	31.1	39.3	20.0	36.3	17.0	536.0
300	17.3	34.3	38.1	18.5	35.1	15.5	536.0
400	17.3	40.1	36.3	16.0	33.3	13.0	536.0
500	17.3	45.3	34.8	14.0	31.8	11.0	536.0

Want to know more about FiberCore?

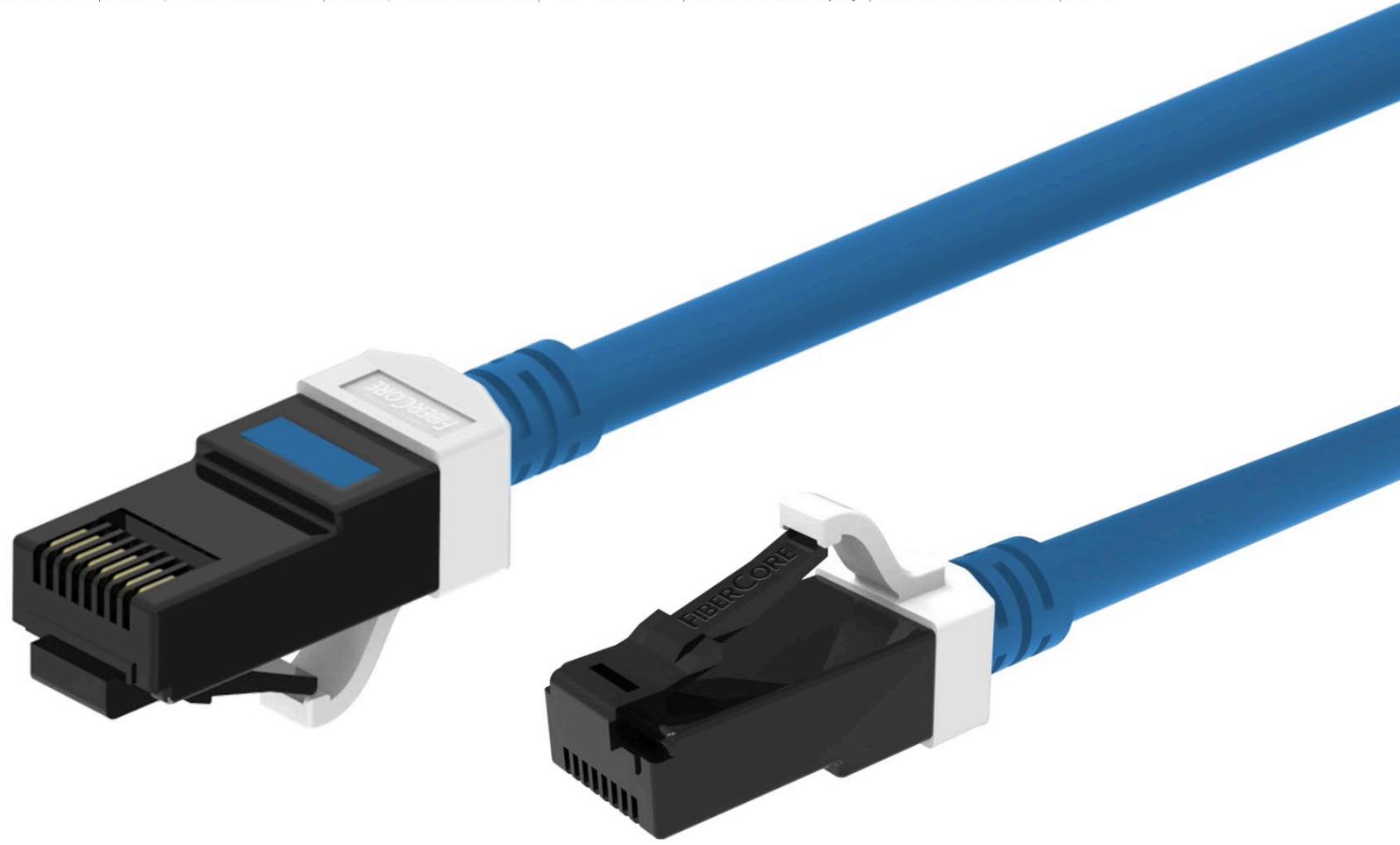
For more information visit www.fibercore-plus.com or contact sales@fibercore-plus.com

V5.2 - 01202026



Cat.6A U/UTP 24AWG PVC Patch Cord

Standard Compliance: ISO/IEC 11801 | ANSI/TIA-568.2-D | ANSI/TIA-1096-A | EN50173-1 | UL444 comply | RoHs & REACH | ETL



6A

Product Description	P/N
Cat6A U/UTP 24 AWG PVC Patch Cord, 0.15m, Blue	FC-24-00114-BL
Cat6A U/UTP 24 AWG PVC Patch Cord, 0.2m, Blue	FC-24-00115-BL
Cat6A U/UTP 24 AWG PVC Patch Cord, 0.3m, Blue	FC-24-00116-BL
Cat6A U/UTP 24 AWG PVC Patch Cord, 0.5m, Blue	FC-24-00117-BL
Cat6A U/UTP 24 AWG PVC Patch Cord, 1m, Blue	FC-24-00118-BL
Cat6A U/UTP 24 AWG PVC Patch Cord, 2m, Blue	FC-24-00119-BL
Cat6A U/UTP 24 AWG PVC Patch Cord, 3m, Blue	FC-24-00120-BL
Cat6A U/UTP 24 AWG PVC Patch Cord, 5m, Blue	FC-24-00121-BL
Cat6A U/UTP 24 AWG PVC Patch Cord, 7m, Blue	FC-24-00122-BL
Cat6A U/UTP 24 AWG PVC Patch Cord, 10m, Blue	FC-24-00123-BL
Cat6A U/UTP 24 AWG PVC Patch Cord, 15m, Blue	FC-24-00124-BL
Cat6A U/UTP 24 AWG PVC Patch Cord, 20m, Blue	FC-24-00125-BL

Features

- Constructed to exceed industry standards, 500MHz Cat6A standard
- Designed for data center, office and industrial area
- Suitable for PoE+ (IEEE802.3at) applications like VOIP phone & security systems
- 100% Fluke Tested

Electrical Characteristics

- Current Rating: 1.5 A
- Insulation Resistance: 100 MΩ min
- Contact Resistance: 20 mΩ max
- Dielectric Strength: 500 VAC (rms)
- Voltage: 56.5 VDC max

Mechanical Characteristics

- Insertion Life: 1,200 mating cycles (Standard: 750 times)
- Installation Temperature: 0 ~ +50°C
- Operation & Storage Temperature: -20 ~ +60°C
- Cable to Plug Tensile Strength: 20pound (min)
- Pulling Force: 10N (max)

Want to know more about FiberCore?

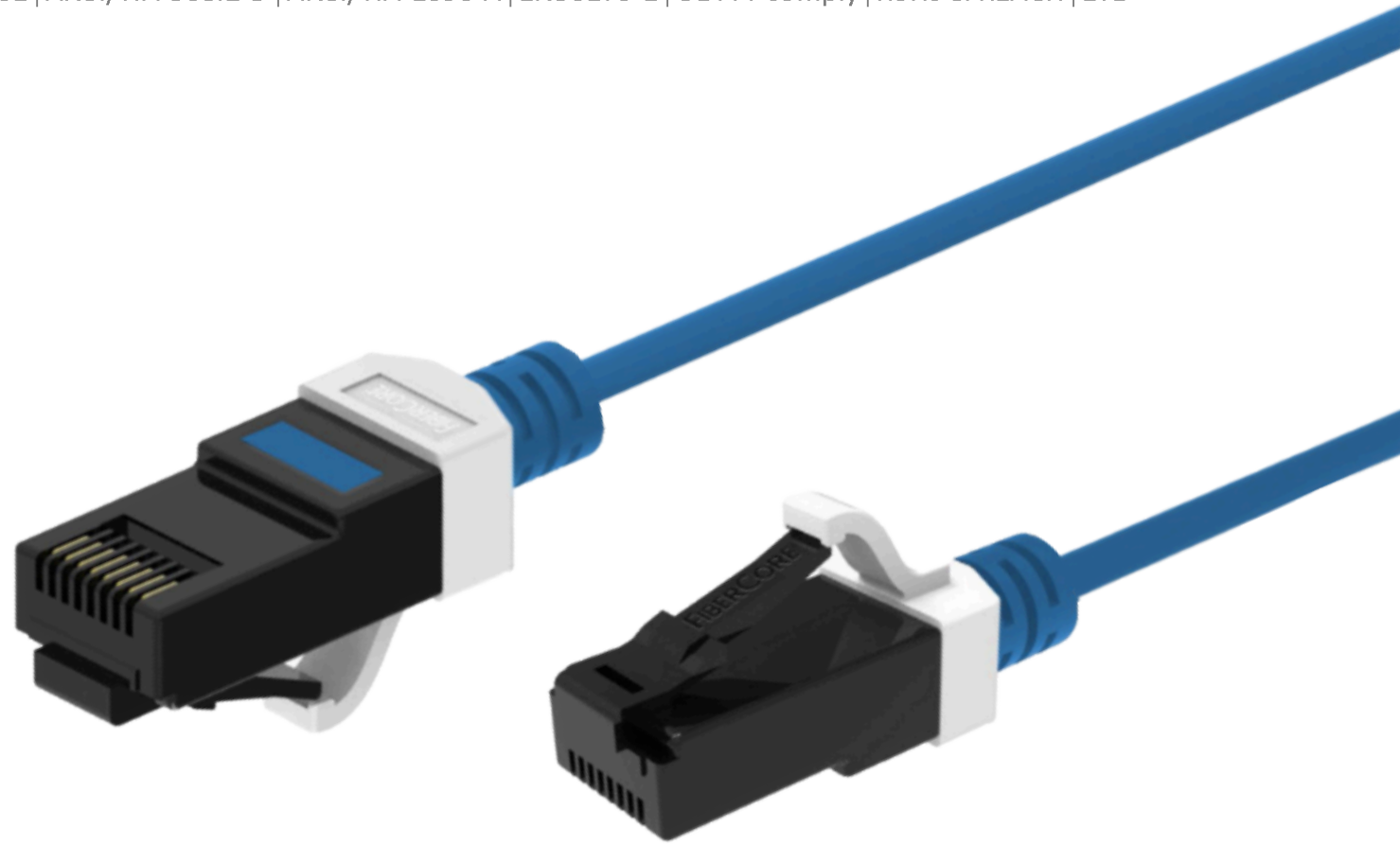
For more information visit www.fibercore-plus.com or contact sales@fibercore-plus.com

V5.2 - 01202026



Cat.6A U/UTP 28AWG PVC Patch Cord

Standard Compliance: ISO/IEC 11801 | ANSI/TIA-568.2-D | ANSI/TIA-1096-A | EN50173-1 | UL444 comply | RoHs & REACH | ETL



6A

Product Description	P/N
Cat6A U/UTP 28 AWG Slim PVC Patch Cord, 0.15m, Blue	FC-24-00114S-BL
Cat6A U/UTP 28 AWG Slim PVC Patch Cord, 0.2m, Blue	FC-24-00115S-BL
Cat6A U/UTP 28 AWG Slim PVC Patch Cord, 0.3m, Blue	FC-24-00116S-BL
Cat6A U/UTP 28 AWG Slim PVC Patch Cord, 0.5m, Blue	FC-24-00117S-BL
Cat6A U/UTP 28 AWG Slim PVC Patch Cord, 1m, Blue	FC-24-00118S-BL
Cat6A U/UTP 28 AWG Slim PVC Patch Cord, 2m, Blue	FC-24-00119S-BL
Cat6A U/UTP 28 AWG Slim PVC Patch Cord, 3m, Blue	FC-24-00120S-BL
Cat6A U/UTP 28 AWG Slim PVC Patch Cord, 5m, Blue	FC-24-00121S-BL
Cat6A U/UTP 28 AWG Slim PVC Patch Cord, 7m, Blue	FC-24-00122S-BL
Cat6A U/UTP 28 AWG Slim PVC Patch Cord, 10m, Blue	FC-24-00123S-BL
Cat6A U/UTP 28 AWG Slim PVC Patch Cord, 15m, Blue	FC-24-00124S-BL
Cat6A U/UTP 28 AWG Slim PVC Patch Cord, 20m, Blue	FC-24-00125S-BL

Features

- Constructed to exceed industry standards, 500MHz Cat6A standard
- Designed for data center, office and industrial area
- Suitable for PoE+ (IEEE802.3at) applications like VOIP phone & security systems
- 100% Fluke Tested

Electrical Characteristics

- Current Rating: 1.5 A
- Insulation Resistance: 100 MΩ min
- Contact Resistance: 20 mΩ max
- Dielectric Strength: 500 VAC (rms)
- Voltage: 56.5 VDC max

Mechanical Characteristics

- Insertion Life: 1,200 mating cycles (Standard: 750 times)
- Installation Temperature: 0 ~ +50°C
- Operation & Storage Temperature: -20 ~ +60°C
- Cable to Plug Tensile Strength: 20pound (min)
- Pulling Force: 10N (max)

Want to know more about FiberCore?

For more information visit www.fibercore-plus.com or contact sales@fibercore-plus.com

V5.2 - 01202026



American Standard Style Faceplate

Standard Faceplate



Product Description	P/N
Faceplate, Standard, 114*70*6mm, 1port	FC-06-000031
Faceplate, Standard, 114*70*6mm, 2port	FC-06-000032
Faceplate, Standard, 114*70*6mm, 4port	FC-06-000033

Features

- Easy snap-in installation make networking organization easy
- Fit with standard network keystone jacks and audio/video keystone Jacks
- Used for desktop or wall for different application in office
- Made from high-impact durable ABS plastic

General

- Operating temperature range : -10°C TO 60°C
- Storage temperature range : -40°C TO 68°C
- Humidity : 10%~90% RH

Want to know more about FiberCore?

For more information visit www.fibercore-plus.com or contact sales@fibercore-plus.com

V5.2 - 01202026



American Shuttered Style Faceplate

Shuttered Faceplate



Product Description	P/N
Faceplate, Shuttered, 114*70*6mm, 1port	FC-06-000035
Faceplate, Shuttered, 114*70*6mm, 2port	FC-06-000036
Faceplate, Shuttered, 114*70*6mm, 4 port	FC-06-000037

■ Features

- Easy-to-install design.
- Humidity Range : 10 %~90 % RH
- Storage : -40 °C to 68 °C
- Operating : -10 °C to 60 °C

■ Material

- Spring: SUS304
- Faceplate Housing: ABS, UL94V-0

Want to know more about FiberCore?

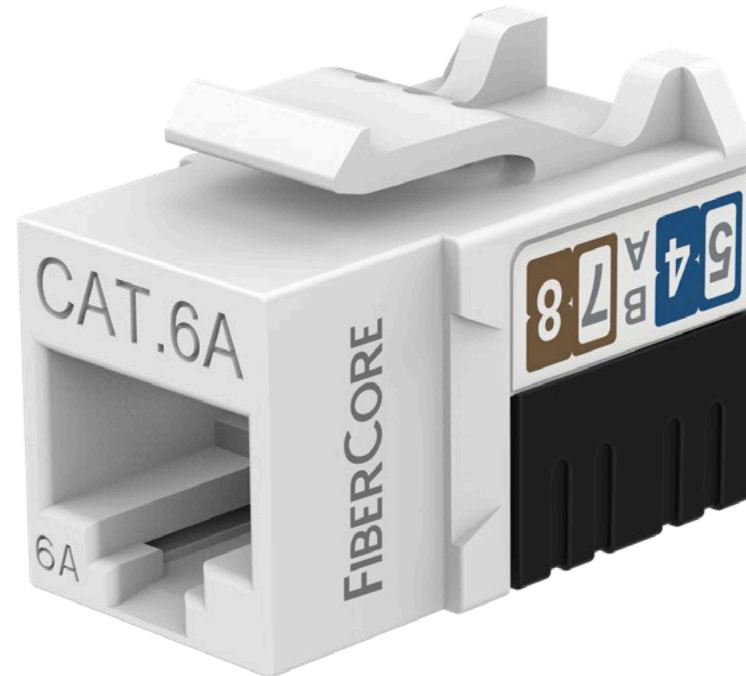
For more information visit www.fibercore-plus.com or contact sales@fibercore-plus.com

V5.2 - 01202026



CAT.6A UTP 90° Punch Down Keystone Jack

Standard Compliance: ISO/IEC 11801 | IEC60603-7 | ANSI/TIA-568.2-D | RoHS



Product Description	P/N
CAT.6A UTP 90° 110 punch down type, White	FC-20-00102-WH

Features

- 90 degree slim compact structure fit for high-density application or edge data center
- Accommodates 23-26AWG solid wire with T568A & T568B wiring schemes Support 4PPoE applications and fit for Decora wall plate

Material

- Keystone jack housing : ABS+PC, UL94V-0
- Jack contact bracket: PBT+Glass Fiber, UL 94V-0
- Spring pin: Phosphor bronze, 50U" Gold Plated
- IDC house: PC, UL94V-2, white color
- IDC contact: Phosphor Bronze, with Tin plated
- IDC cap: ABS+PC UL 94V-0, black color
- PCB : FR4, UL 94V-0

Performance

- Life (Mating Cycles) : Min. 750 Cycles
- Mating & un-mating force: Max. 20N
- Retention Strength 7.7kg between jack and plug
- Wire conductor range: solid and stranded, 23 -26AWG
- Cable OD range: 5.5-9.0mm
- IDC re-installing cycles: Min.20 cycles
- Operating temperature range : -10°C to 60°C

Want to know more about FiberCore?

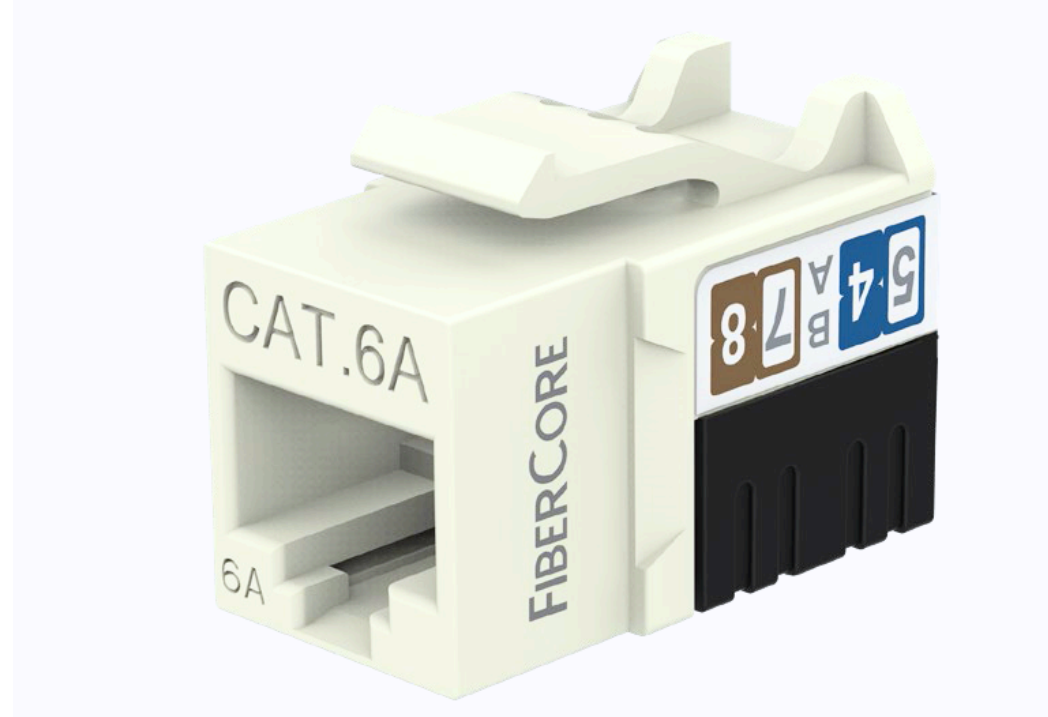
For more information visit www.fibercore-plus.com or contact sales@fibercore-plus.com

V5.2 - 01202026



CAT.6A UTP 90° Punch Down Keystone Jack

Standard Compliance: ISO/IEC 11801 | IEC60603-7 | ANSI/TIA-568.2-D | RoHS



Product Description	P/N
CAT.6A UTP 90° 110 punch down type, Light Almond Color	FC-20-00102-LA

Features

- 90 degree slim compact structure fit for high-density application or edge data center
- Accommodates 23-26AWG solid wire with T568A & T568B wiring schemes Support 4PPoE applications and fit for Decora wall plate

Material

- Keystone jack housing : ABS+PC, UL94V-0
- Jack contact bracket: PBT+Glass Fiber, UL 94V-0
- Spring pin: Phosphor bronze, 50U" Gold Plated
- IDC house: PC, UL94V-2, white color
- IDC contact: Phosphor Bronze, with Tin plated
- IDC cap: ABS+PC UL 94V-0, black color
- PCB : FR4, UL 94V-0

Performance

- Life (Mating Cycles) : Min. 750 Cycles
- Mating & un-mating force: Max. 20N
- Retention Strength 7.7kg between jack and plug
- Wire conductor range: solid and stranded, 23 -26AWG
- Cable OD range: 5.5-9.0mm
- IDC re-installing cycles: Min.20 cycles
- Operating temperature range : -10°C to 60°C

Want to know more about FiberCore?

For more information visit www.fibercore-plus.com or contact sales@fibercore-plus.com

V5.2 - 01202026



CAT.6A UTP 180° Punch Down Keystone Jack

Standard Compliance: ISO/IEC 11801 | IEC60603-7 | ANSI/TIA-568.2-D | RoHS



Product Description	P/N
CAT.6A UTP 180° 110 punch down type, with red color plate, Black	FC-20-00101-BK

Features

- Color plate for easy color management, user-friendly unique clamp cap for installation
- Separate wire peak design and pre-stuck slot for easy wiring
- Support 4PPoE applications and fit for high-density patch panel
- Press-fit technique for eco-friendly and solder-free

Material

- Keystone jack housing : ABS, UL94V-0
- Spring pin: Phosphor bronze, 50U" Gold Plated
- IDC house: PC, UL94V-0
- IDC contact: Phosphor Bronze, Tin Over Nickel Undercoat
- PCB : FR4, UL 94V-0

Electrical

- Insulation resistance: 500 M Ω
- Dielectric with standing voltage: 1000V AC
- DC current rating: 1.5 Amps.
- DC resistance: 0.1 Ω
- Contact resistance: 20m Ω

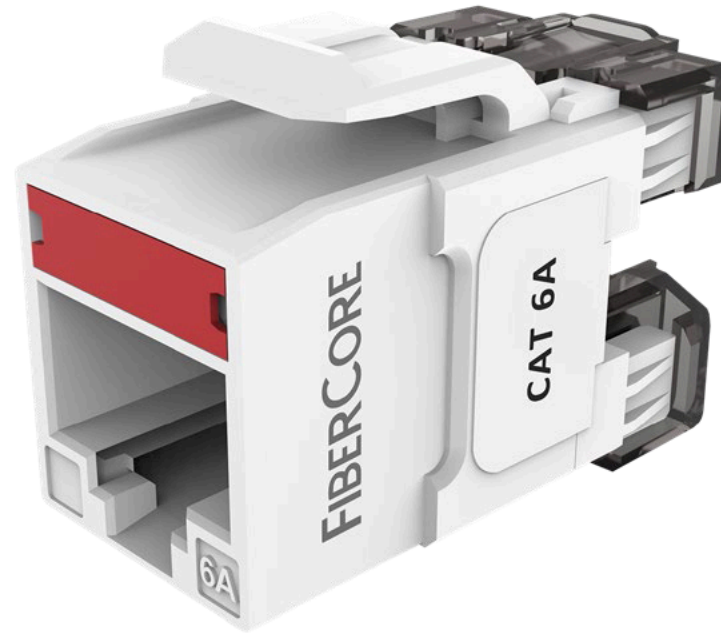
General

- Insertion life : 750 Mating Cycles with FCC Compliant RJ45
- Mating & un-mating force: Max. 20N
- Contact force : 100 Grams with FCC Compliant RJ45 Plug
- Retention Strength : 7.7kg between jack and plug
- Plug retention force : 11 LBF MIN
- Durability : 200 Termination Cycles
- Operating temperature range : -10°C to 60°C
- Storage temperature range : -40°C to 68°C
- Humidity: 10%-90% RH



CAT.6A UTP 180° Punch Down Keystone Jack

Standard Compliance: ISO/IEC 11801 | IEC60603-7 | ANSI/TIA-568.2-D | RoHS



Product Description	P/N
CAT.6A UTP 180° 110 punch down type, with red color plate, White	FC-20-00101-WH

Features

- Color plate for easy color management, user-friendly unique clamp cap for installation
- Separate wire peak design and pre-stuck slot for easy wiring
- Support 4PPoE applications and fit for high-density patch panel
- Press-fit technique for eco-friendly and solder-free

Material

- Keystone jack housing : ABS, UL94V-0
- Spring pin: Phosphor bronze, 50U" Gold Plated
- IDC house: PC, UL94V-0
- IDC contact: Phosphor Bronze, Tin Over Nickel Undercoat
- PCB : FR4, UL 94V-0

Electrical

- Insulation resistance: 500 M Ω
- Dielectric with standing voltage: 1000V AC
- DC current rating: 1.5 Amps.
- DC resistance: 0.1 Ω
- Contact resistance: 20m Ω

General

- Insertion life : 750 Mating Cycles with FCC Compliant RJ45
- Mating & un-mating force: Max. 20N
- Contact force : 100 Grams with FCC Compliant RJ45 Plug
- Retention Strength : 7.7kg between jack and plug
- Plug retention force : 11 LBF MIN
- Durability : 200 Termination Cycles
- Operating temperature range : -10°C to 60°C
- Storage temperature range : -40°C to 68°C
- Humidity: 10%-90% RH



Keystone Panel

1U 24PORT, FTP/UTP DUAL EMPTY PANEL,WITH SUPPORT BAR

FC-03-00009-U/F



Features

- Provide more flexibilities for customize installation
- Used for both UTP&STP
- High density SPCC material, effectively guarantee the mechanical strength
- Oversize labeling window for easy identification

Material

- Panel : SPCC
- Wire management : SPCC
- Plastic part : ABS UL94V-0

General

- Operating temperature range : -10°C to 60°C
- Storage temperature range : -40°C to 68°C
- Humidity : 10% ~ 90% RH

2U 48 port FTP/UTP dual empty panel, shielded type, with support bar

FC-03-00010-U/F



Features

- Style, reducing the demand for horizontal cable management.
- The ethernet cable jack panel use user-friendly blank labels can reduces installation time.
- The rear cable management keeps cable neat and efficient.
- 1U keystone patch panel is economical and flexible.

General

- Operating temperature range : -10°C to 60°C
- Storage temperature range : -40°C to 68°C
- Humidity : 10% ~ 90% RH

Material

- Panel : SPCC
- Wire management : SPCC
- Plastic part : ABS UL94V-0

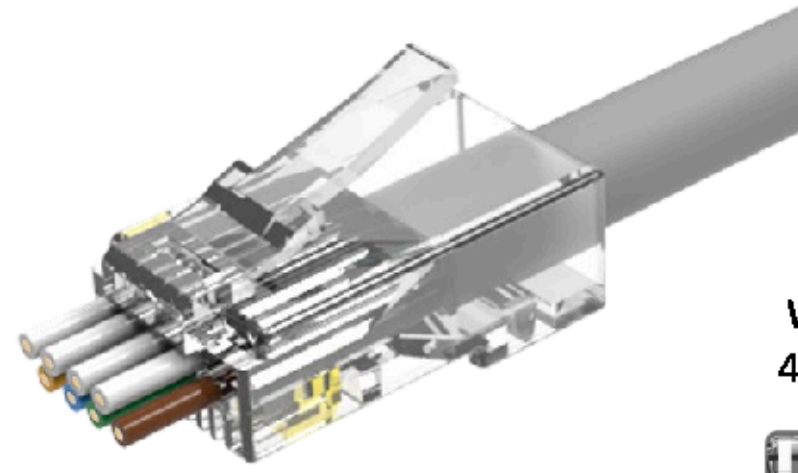
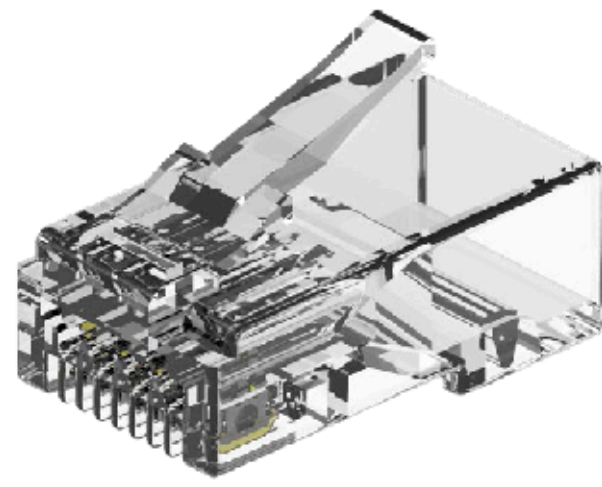
Want to know more about FiberCore?

For more information visit www.fibercore-plus.com or contact sales@fibercore-plus.com

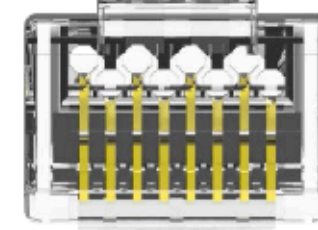
V5.2 - 01202026



Cat.6A UTP Easy Pass Through Modular Plug



Wire Position
4 Up / 4 Down



Product Description	P/N
CAT.6A U/UTP RJ45 Pass Thru Plug, Wire Hole 1.2mm	FC-21-00106

Features

- Easy Design: Easy pass through connector for field termination and easy assembly
- Wire Dimension: 1.2mm can fit insulation 1.05~1.15mm
- Terminal with 3 prongs contact blades: Fit both Stranded and Solid wire 23AWG~26AWG
- Gold Plating: 50μ" with test report by X-RAY machine
- RJ45 connector compliance with FCC Standard

General

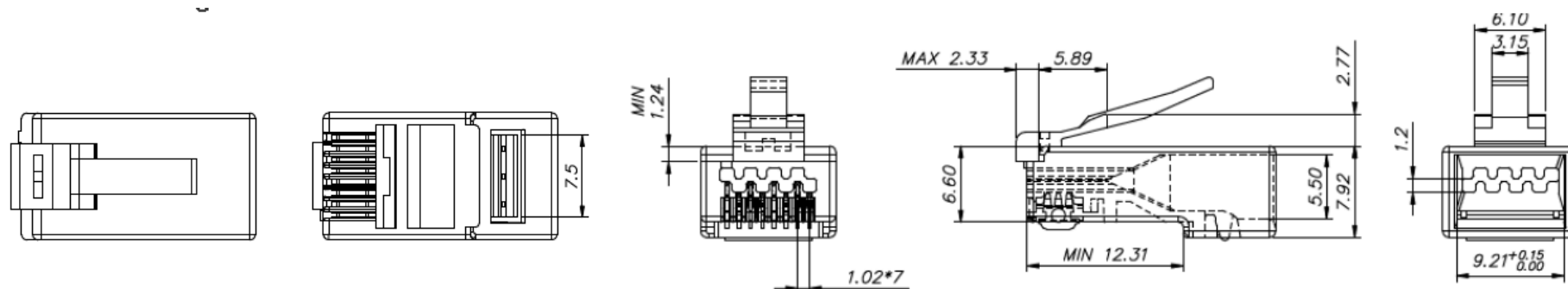
- Dielectric Voltage Withstand Test: Test 60S 1000V AC/DC Test Pass
- Insulation Resistance: 500 MΩ.
- Contact Resistance: 20mΩ Max.
- Operating & Storage Temperature Range: -40° ~ 70°C
- Durability Test: 1,200 times (Standard: 750 times)
- Tensile Test: ≥ 20pound (9.1kg)

Material

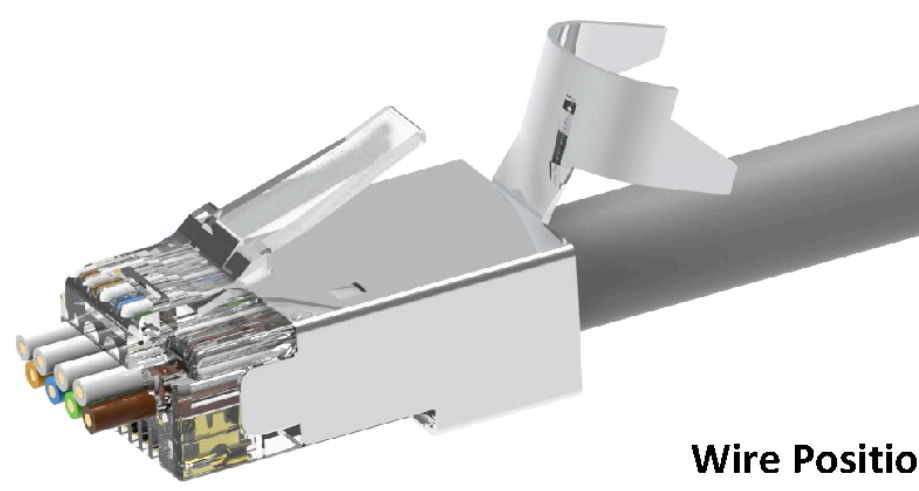
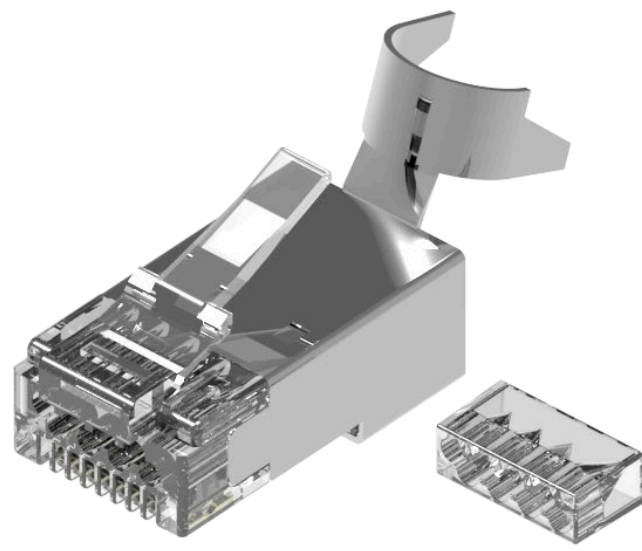
- Polycarbonate 94V2
- Gold plating 50μ"

Technical Drawing

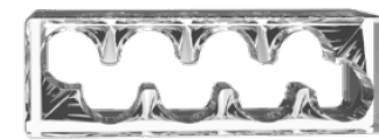
Unit of length: mm



Cat.6A F/UTP Easy Pass Through Modular Plug



Wire Position
4 Up / 4 Down



Product Description	P/N
CAT.6A F/UTP RJ45 Pass Thru Plug, Wire Hole 1.2mm	FC-21-00107

Features

- Easy Design: Easy pass through connector for field termination and easy assembly
- Wire Dimension: 1.2mm can fit insulation 1.05~1.15mm
- Terminal with 3 prongs contact blades: Fit both Stranded and Solid wire 23AWG~26AWG
- Gold Plating: 50μ" with test report by X-RAY machine
- RJ45 connector compliance with FCC Standard

General

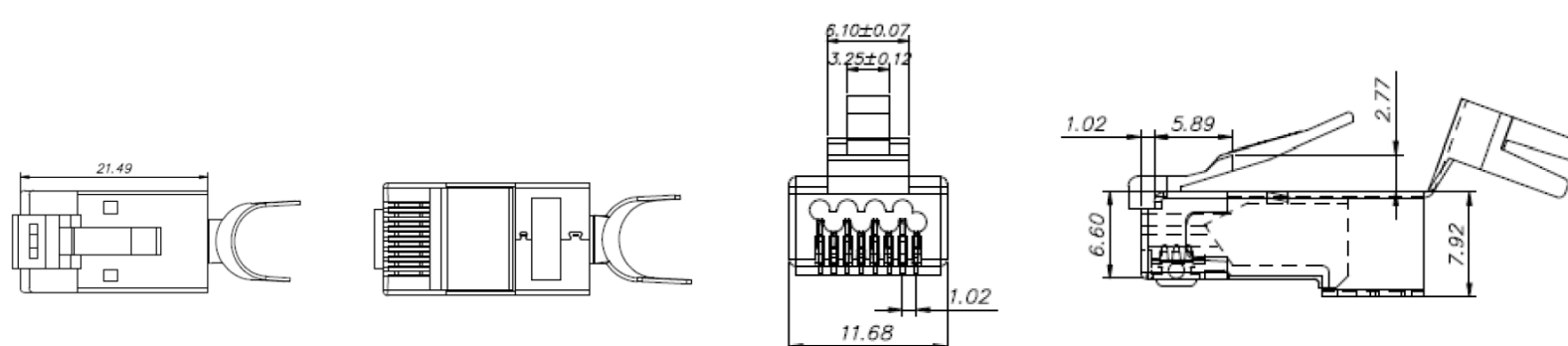
- Dielectric Voltage Withstand Test: Test 60S 1000V AC/DC Test Pass
- Insulation Resistance: 500 MΩ.
- Contact Resistance: 20mΩ Max.
- Operating & Storage Temperature Range: -40° ~ 70°C
- Durability Test: 1,200 times (Standard: 750 times)
- Tensile Test: ≥ 20pound (9.1kg)

Material

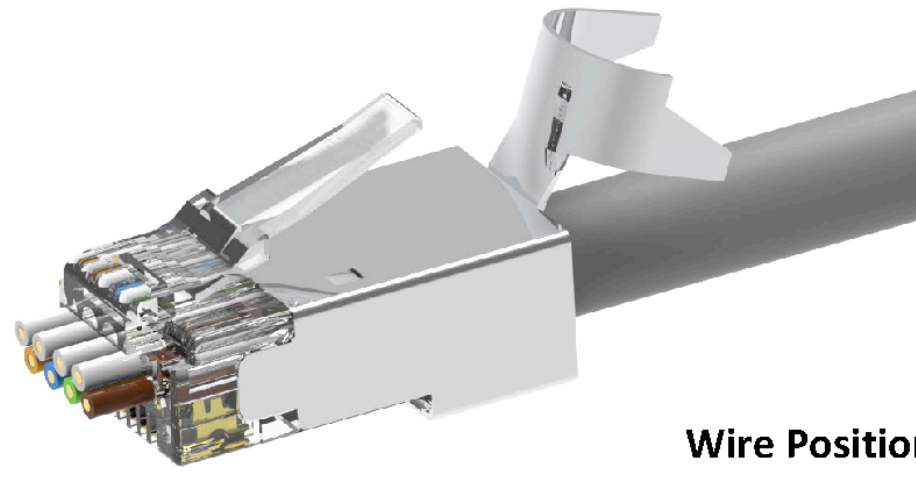
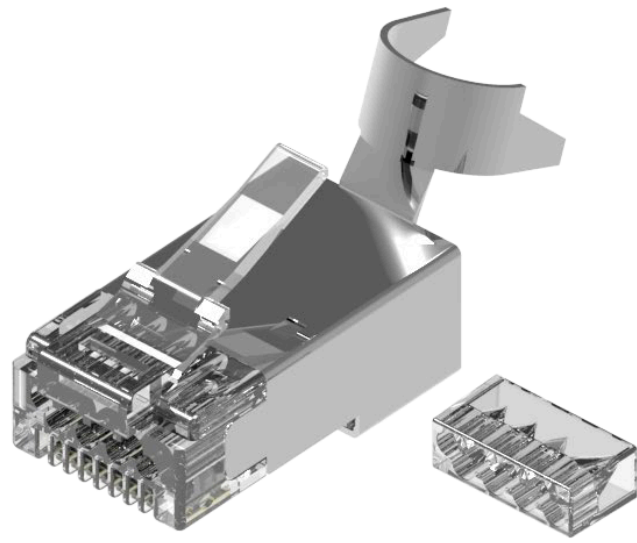
- Polycarbonate 94V2
- Gold plating 50μ"
- Shielded Shell: Copper Nickel Alloy

Technical Drawing

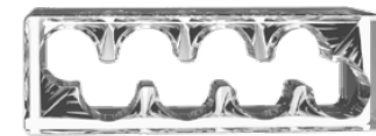
Unit of length: mm



Cat.6A S/FTP Easy Pass Through Modular Plug



Wire Position
4 Up / 4 Down



Product Description	P/N
CAT.6A S/FTP RJ45 Pass Thru Plug, Wire Hole 1.5mm	FC-21-00108

Features

- Easy Design: Easy pass through connector for field termination and easy assembly
- Wire Dimension: 1.5mm can fit insulation 1.35~1.45mm
- Terminal with 3 prongs contact blades: Fit both Stranded and Solid wire 23AWG~26AWG
- Gold Plating: 50μ" with test report by X-RAY machine
- RJ45 connector compliance with FCC Standard

General

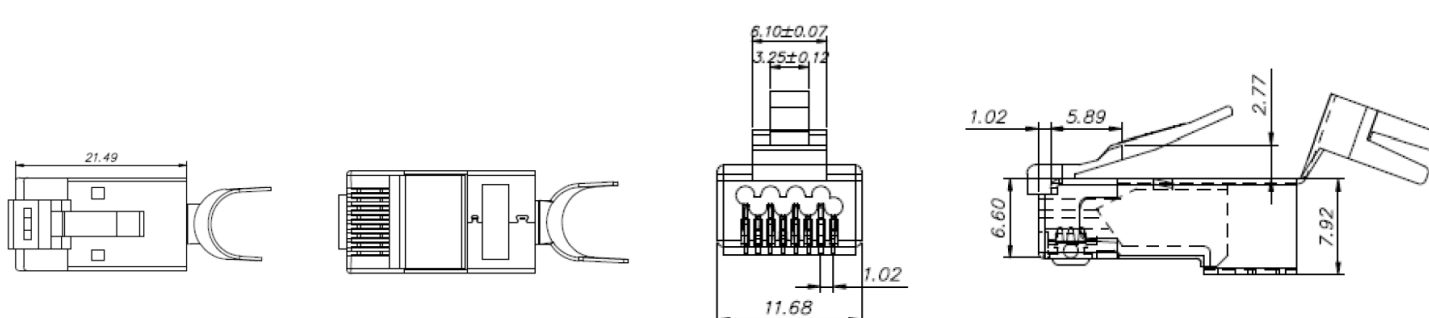
- Dielectric Voltage Withstand Test: Test 60S 1000V AC/DC Test Pass
- Insulation Resistance: 500 MΩ.
- Contact Resistance: 20mΩ Max.
- Operating & Storage Temperature Range: -40° ~ 70°C
- Durability Test: 1,200 times (Standard: 750 times)
- Tensile Test: ≥ 20pound (9.1kg)

Material

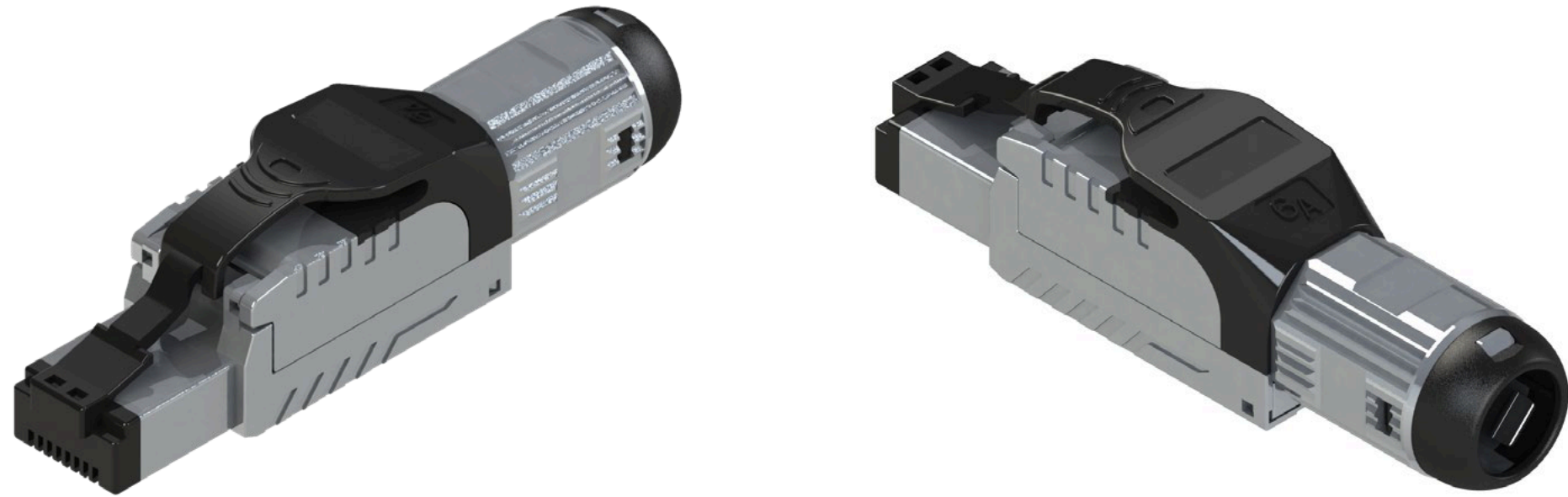
- Polycarbonate 94V2
- Gold plating 50μ"
- Shielded Shell: Copper Nickel Alloy

Technical Drawing

Unit of length: mm



CAT.6A FTP Field Termination plug



Product Description	P/N
CAT.6A S/FTP Field Termination Plug, OD 6.0-7.5mm	FC-21-00109

Features

- Full shielded with zinc alloy housing
- T568A & T568B wiring
- Cable wire gauge : 23AWG to 26AWG
- Complied with the Cat.6A patch cord component level
- Suitable for the PoE plus (IEEE 802.3at) applications
- Easy, quick and reliable installation
- Support MPTL link up to 90 meters

General

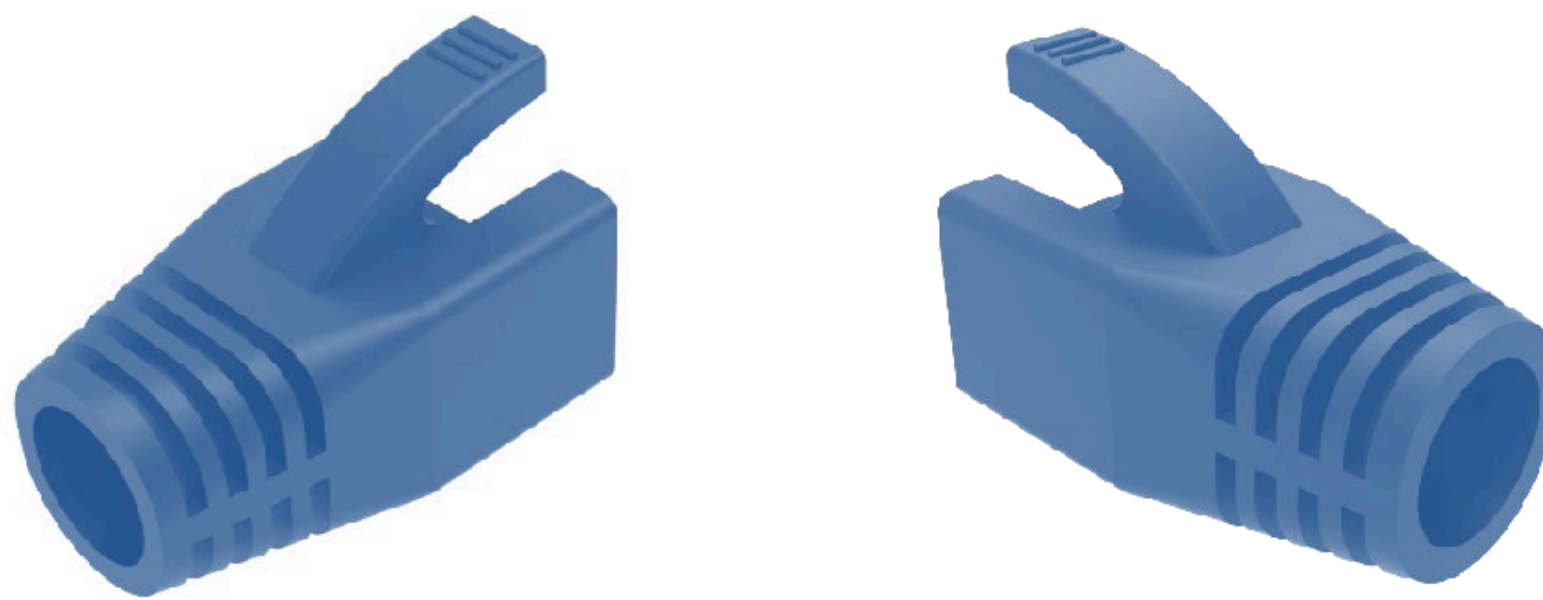
- Insertion force : 30N max. (IEC 60603-7)
- Retention strength : 7.7 kg between Jack and Plug.
- Operating temperature : -10°C to 60°C (ISO/IEC 1 1801, ANSI/TIA/EIA568 C.2-1)
- Life (Mating Cycles)
 - Jack : 750 cycles min. (ISO/IEC 11801, IEC 60603-7-5)
 - IDC : Suitable for 23-26AWG stranded and solid wire, min. 20 installation cycles

Material

- Extractor : PC, UL 94V-2, black color
- Housing : Zinc die-Casting with nickel plated
- Plug Housing : PC, UL 94V-2, black color ; Plug Contact finish : 50 micro-inch gold plated on surface contact area
- Cover : Zinc die-casting with nickel plated
- Wire Management Bar : PC+Glass fiber , white color, UL94-V2
- IDC Housing : PC, white color , UL94-V2 ; IDC Terminal : Titanium copper with tin plated
- Grounding Contact : Zinc die-casting with nickel plated
- Boot Housing : Zinc die-casting with nickel plated
- Boot SR : PC, UL 94V-2, black color
- PCB, UL 94-V0



RJ45 Connector Sheath Protective Sleeve



P/N	Product Description
FC-22-00110-R	Cat.6A, UTP, Boot, Red Color, OD7.5mm
FC-22-00110-V	Cat.6A, UTP, Boot, Violet Color, OD7.5mm
FC-22-00110-B	Cat.6A, UTP, Boot, Blue Color, OD7.5mm
FC-22-00110-Y	Cat.6A, UTP, Boot, Yellow Color, OD7.5mm
FC-22-00110-P	Cat.6A, UTP, Boot, Pink Color, OD7.5mm
FC-22-00110-G	Cat.6A, UTP, Boot, Green Color, OD7.5mm

Features

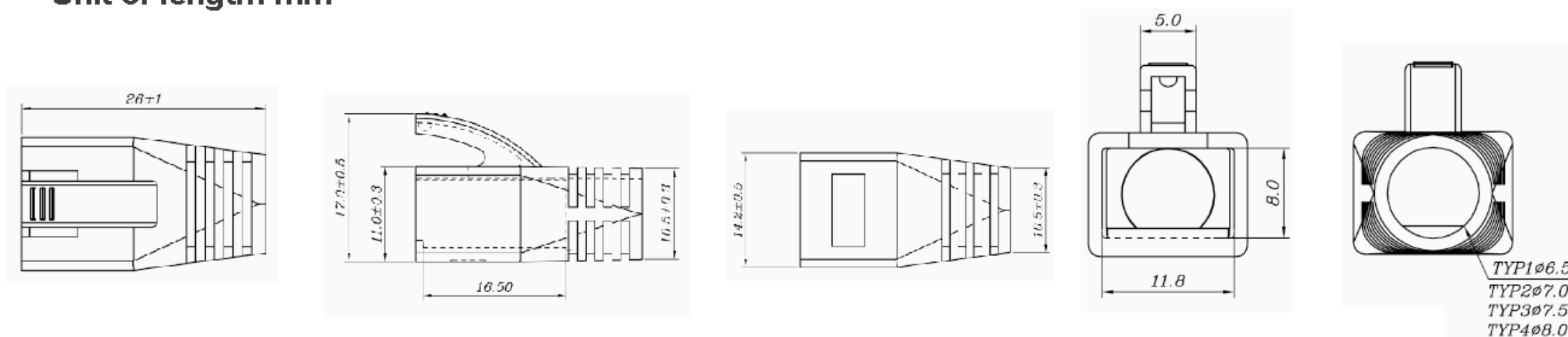
- Fit with Cat.6A/Cat.6/Cat.5e UTP & STP RJ45 Connector
- Suitable for Cat.6A/Cat.6/Cat.5e solid or stranded round cable
- Comply with RoHS & REACH

Material

- PVC material UL94-V2

Technical Drawing

Unit of length: mm



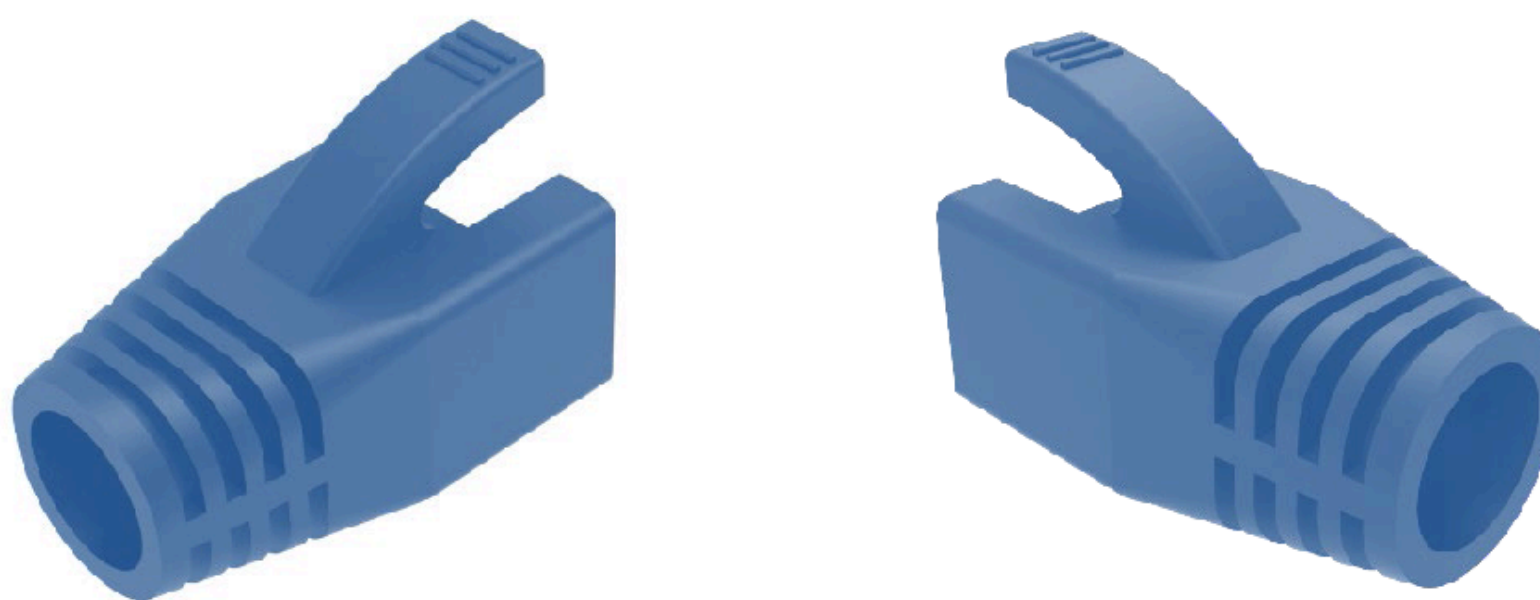
Want to know more about FiberCore?

For more information visit www.fibercore-plus.com or contact sales@fibercore-plus.com

V5.2 - 01202026



RJ45 Connector Sheath Protective Sleeve



P/N	Product Description
FC-22-00111-R	Cat.6A, UTP, Boot, Red Color, OD8.0mm
FC-22-00111-V	Cat.6A, UTP, Boot, Violet Color, OD8.0mm
FC-22-00111-B	Cat.6A, UTP, Boot, Blue Color, OD8.0mm
FC-22-00111-Y	Cat.6A, UTP, Boot, Yellow Color, OD8.0mm
FC-22-00111-P	Cat.6A, UTP, Boot, Pink Color, OD8.0mm
FC-22-00111-G	Cat.6A, UTP, Boot, Green Color, OD8.0mm

Features

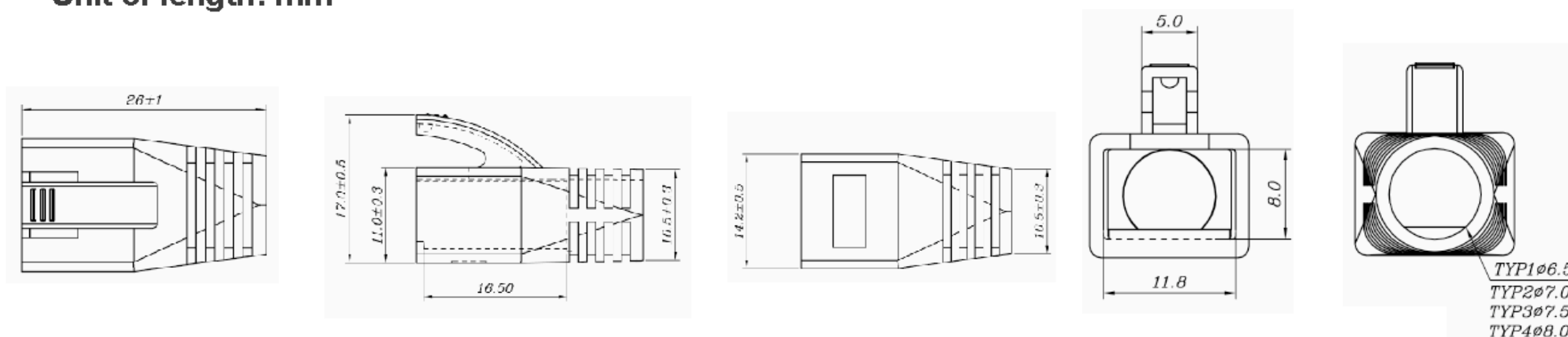
- Fit with Cat.6A/Cat.6/Cat.5e UTP & STP RJ45 Connector
- Suitable for Cat.6A/Cat.6/Cat.5e solid or stranded round cable
- Comply with RoHS & REACH

Material

- PVC material UL94-V2

Technical Drawing

Unit of length: mm



Want to know more about FiberCore?

For more information visit www.fibercore-plus.com or contact sales@fibercore-plus.com

V5.2 - 01202026



Flat Cable Management

1U Flat Cable Management, 5 HANGERS - BLACK
FC-16-00089



Features

- 1U 19" cable management use inside of cabinets
- Rotatable cable ring support horizontal and vertical organizations
- Organize cable through both right and left side

General

- Operating Temperature Range : -10°C To 60°C
- Storage Temperature Range : -40°C To 68°C
- Humidity : 10% ~ 90% RH

Material

- Panel : SPCC Black Powder Painting Coat Finish

1U Cable Management, 12 SLOTS, BLACK
FC-16-00090



Features

- Optimize cabling management
- Allows a front to rear cabling thought the middle opening design
- Keep patch panels and switches neat and professional

General

- Humidity : 10% ~ 90% RH

Material

- Panel / Middle-sheet :
Aluminum, 6mm thickness

Toolless mounting metal blank panel



Product Description	P/N
Toolless mounting metal blank panel, 1U	FC-17-00091
Toolless mounting metal blank panel, 2U	FC-17-00092
Toolless mounting metal blank panel, 3U	FC-17-00093

Features

- Toolless snap into design for easy installation
- Fit standard 19" cabinet

Material

- Panel : SPCC

General

- Operating Temperature Range : -10°C To 60°C
- Storage Temperature Range : -40°C To 68°C
- Humidity : 10% ~ 90% RH

Want to know more about FiberCore?

For more information visit www.fibercore-plus.com or contact sales@fibercore-plus.com

V5.2 - 01202026



RJ45 Multi Function Crimping Tool

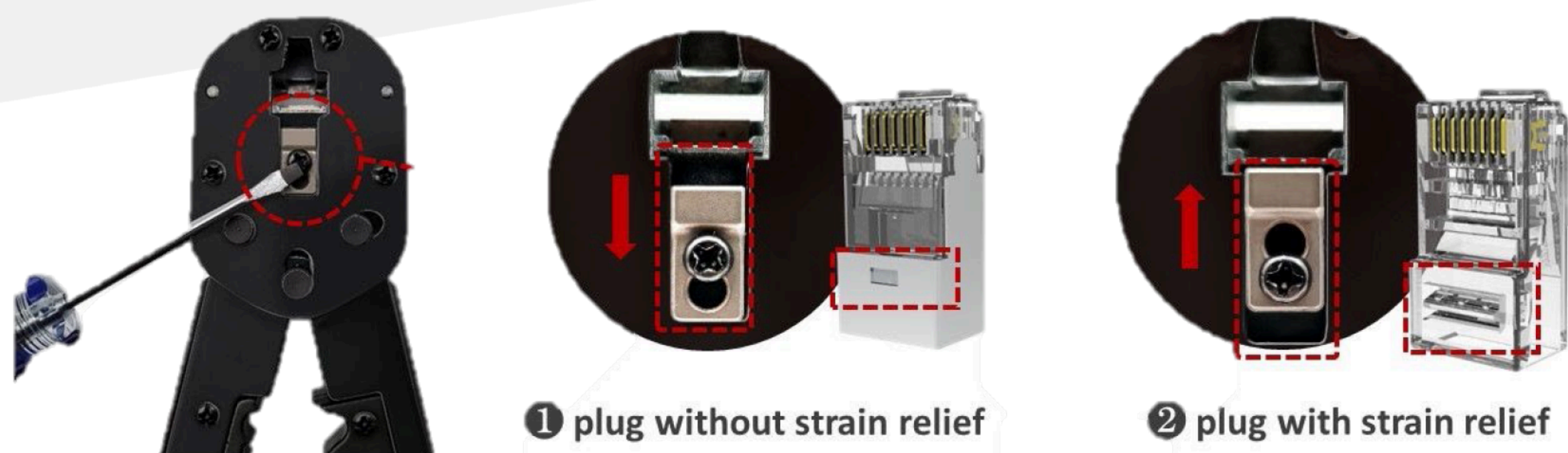


Product Description	P/N
RJ45 Crimping Tool, Multi Function, Red Handle (For Pass Thru & Tail Clip RJ45 Connector), With Extra 2 pcs Blade	FC-27-00146

Features

- Fit with all RJ45 connectors, easy pass through RJ45, larger cable RJ45 plugs.
- Crimp, press and trim easy RJ45 plug in one time (Time Saving).
- U-shape gap is to press the tailed clip and fix cable tightly.
- Screw to change the blade for different type connectors.

Change The Blades



Want to know more about FiberCore?

For more information visit www.fibercore-plus.com or contact sales@fibercore-plus.com

V5.2 - 01202026





Keystone Jack Termination Tool

Cat6A Speedy Termination Tool, for 90° Keystone Jack

FC-27-000147



1PC/BOX

Easy Termination Tool

Cat6A Easy Termination Tool for Colored Plate Type 180 Degree Keystone Jack

FC-27-0001478



1PC/BOX

Punch Down Tool

Punch tool, with cutter

FC-18-00096



1PC/BOX

Want to know more about FiberCore?

For more information visit www.fibercore-plus.com or contact sales@fibercore-plus.com

V5.2 - 01202026



Easy Punch Down Tool

Easy crimping tool for RJ45

FC-18-00097



1PC/BOX

Cable Stripper

Cable stripper, with cutter

FC-18-00098



1PC/BOX

Dust Cover for Keystone Jack

Dust cover for keystone jack, white color

FC-18-00099



Blank Snap-in module

FC-18-00100



Network Cable Organizer

Cable Organizer -Black Color

FC-18-00101



Want to know more about FiberCore?

For more information visit www.fibercore-plus.com or contact sales@fibercore-plus.com

V5.2 - 01202026

